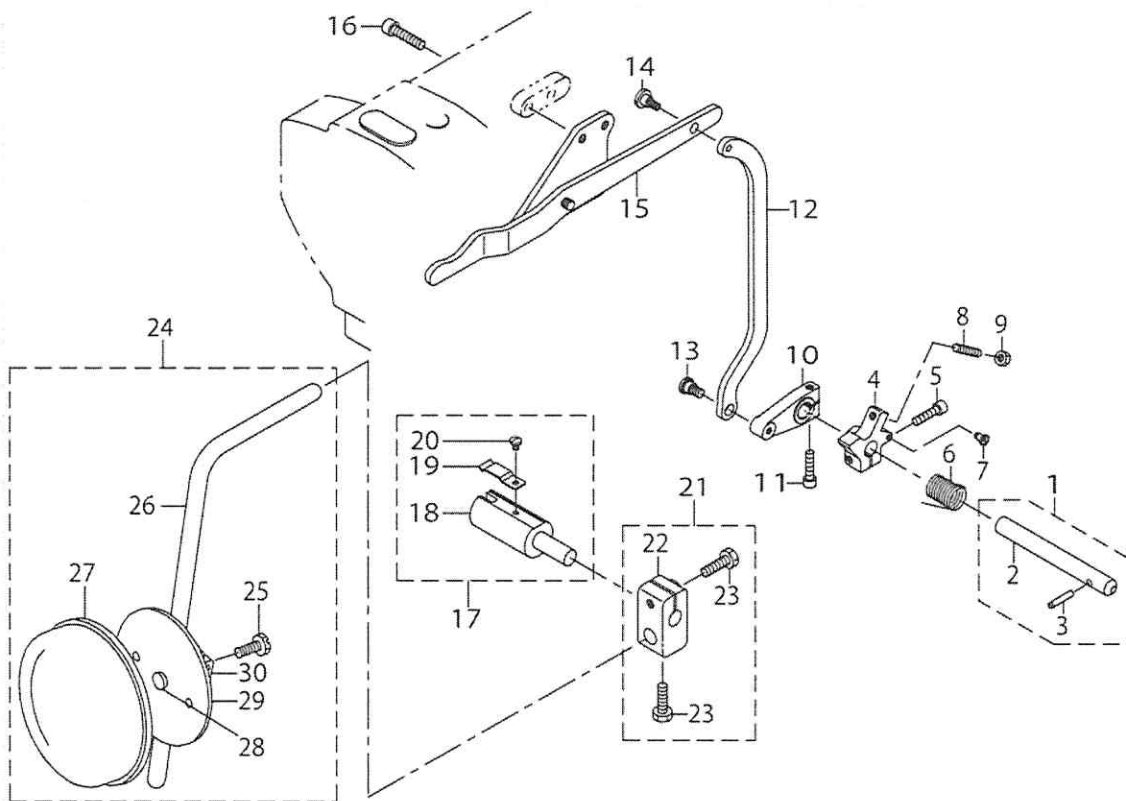


# KNEE LIFTING COMPONENTS



KNEE LIFTING COMPONENTS

No.	Supply Code	Parts No.	Replacement	Parts name	Remarks	Choice	Step	Level	Cons	Qty	Rep. QTY
1		21406053		KNEE LIFTER SHAFT ASM.						1	
2		21406004		KNEE LIFTER SHAFT				*		1	
3	R	21342605	21342555	KNEE LIFTER SHAFT PIN				*		1	1.00
4		21405808		KNEE LIFTER SPRING RACK						1	
5		SM6052002TP		SCREW M5 L=20						1	
6		21405907		KNEE LIFTER SHAFT SPRING						1	
7		SD0450401SP		HINGE SCREW D= 4.5 H= 4						1	
8		SM8052502TP		SCREW M5X0.8 L=25						1	
9		NM6050001SD		NUT M5X0.8						1	
10		21405709		KNEE LIFTER ARM						1	
11		SM6052002TP		SCREW M5 L=20						1	
12		21405600		KNEE LIFTER CONNECTING PLATE						1	
13		SD0790451SP		HINGE SCREW D= 7.94 H= 4.5						1	
14		SD0700451TP		HINGE SCREW D=7 H=4.5						1	
15		21343355		KNEE LIFTER LEVER ASM.						1	
16		SM6062502TP		SCREW M6 L=25						2	
17		22863252		KNEE LIFTER JOINT ASM.						1	
18	R	22863203	22863252	KNEE LIFTER JOINT				*		1	1.00
19		B3428521000		PRESSER SPRING				*		1	
20		SS7090510SP		SCREW 9/64-40L=4.6				*		1	
21		22932453		BRACKET ASM.						1	
22	R	22932404	22932453	BRACKET				*		1	1.00
23		22934707		SCREW				*		2	
24		21343157		KNEE PRESS PLATE ASM.						1	
25		SM9061203SE		SCREW M6 L=12				*		1	
26	R	21343108	21343157	KNEE PRESS LEVER				*		1	1.00
27		22934509		KNEE PAD PLATE COVER				*		1	
28		22934400		KNEE PAD PLATE RUBBER				*		1	
29		22934202		KNEE PAD PLATE				*		1	
30		22934301		KNEE PAD PLATE SUPPORT				*		1	