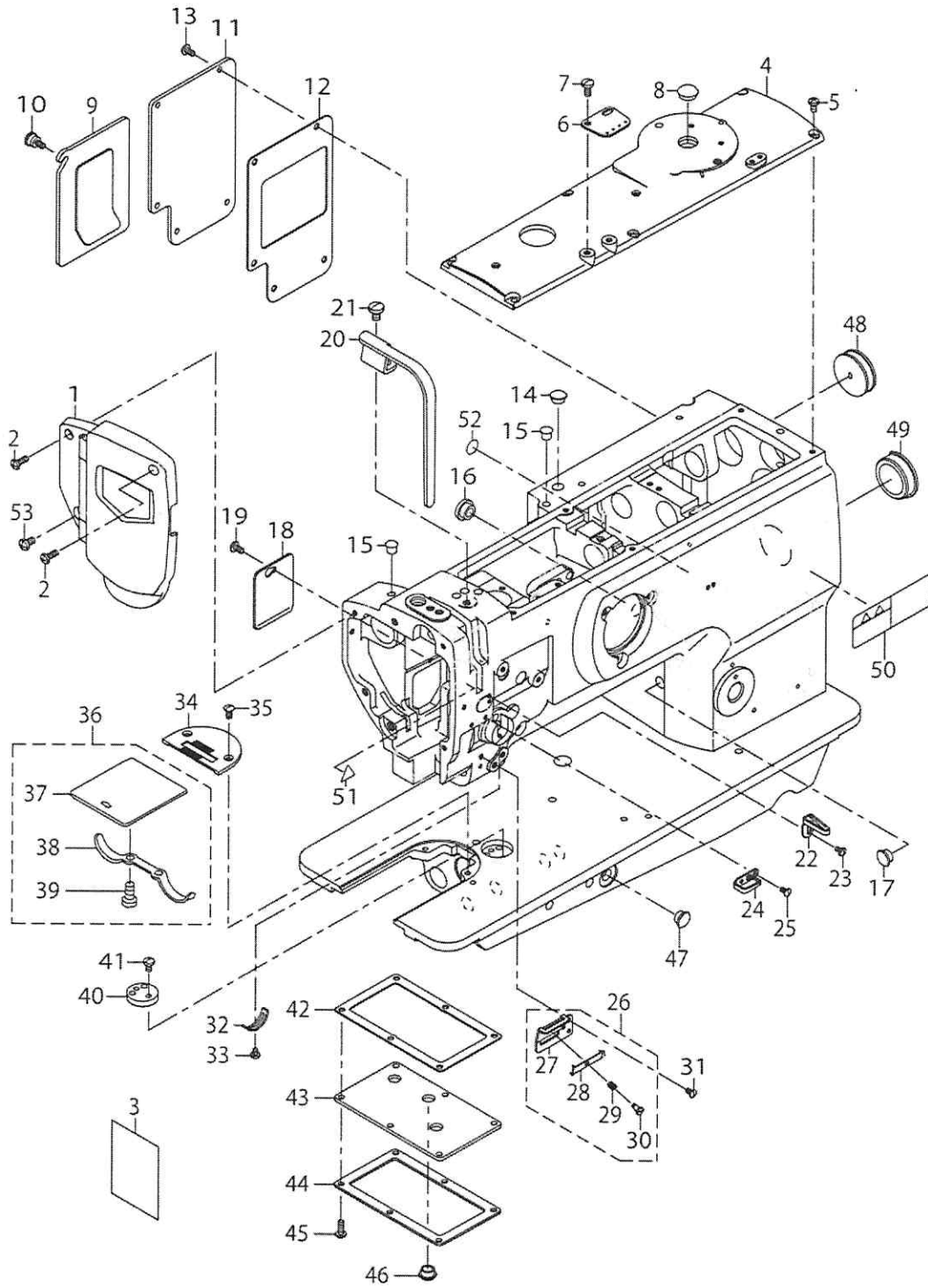


FRAME & MISCELLANEOUS COVER COMPONENTS



FRAME & MISCELLANEOUS COVER COMPONENTS

No.	Supply Code	Parts No.	Replacement	Parts name	Remarks	Choice	Step	Level	Cons	Qty	Rep. QTY
1		40016798		FACE PLATE ASM.						1	
2		SS4111215SP		SCREW11/64-40L=12						2	
3		40019114		LUBRICATION SUPPLEMENT						1	
4		21331301		TOP COVER B						1	
5		SS4110815SP		SCREW 11/64-40 L=8						6	
6		21355904		ARM THREAD GUIDE						1	
7		SS7621040SP		SCREW 3/16-32L=9.5						2	
8		TA1450404R0		RUBBER PLUG D=14.5 L=4						1	
9		21331756		WINDOW PLATE A ASM.						1	
10		21331202		SETSCREW						1	
11		21331806		WINDOW PLATE B						1	
12		21332002		WINDOW PLATE PACKING B						1	
13		SS4110815SP		SCREW 11/64-40 L=8						5	
14		TA1250504R0		RUBBER PLUG						1	
15		TA0750704R0		RUBBER PLUG						2	
16		TA1250504R0		RUBBER PLUG						1	
17		TA1050504R0		RUBBER PLUG						1	
18		21332309		SIDE COVER						1	
19		SS4110815SP		SCREW 11/64-40 L=8						1	
20		21331608		BALANCE COVER						1	
21		SS7150910TP		SCREW 15/64-28 L=9						1	
22		40108674		THREAD GUIDE	FOR DNU-- 1541-DNU-1541S					1	
23		SS5090610SP		SCREW 9/64-40 L=6	FOR DNU-- 1541-DNU-1541S					1	
24		40108675		FRAME THREAD GUIDE						1	
25		SS2090710TP		SCREW 9/64-40 L=7.2						2	
26		21408554		THREAD GUIDE ASM.						1	
27	R	21408505	21408554	THREAD GUIDE PLATE				*		1	1.00
28		17912106		NEEDLE THREAD PRESSER PLATE				*		1	
29		B1132521000		THREAD PRESSER PLATE SPRING				*		1	
30		SD0380551SL		HINGE SCREW D= 3.80 H= 5.5				*		1	
31		SS2090710TP		SCREW 9/64-40 L=7.2						1	
32		B3138512000		TAKE-UP SPRING A-DJUSTING PLATE						1	
33		SS7090520TP		SCREW 9/64-40 L=4.5						1	
34		21410006		THROAT PLATE						1	
35		SS2110920TP		SCREW 11/64-40 L=8.5						2	
36		B1112241HA0		BED SLIDE ASM.						1	
37	R	B1112241H00	B1112241HA0	BED SLIDE				*		1	1.00
38		A1111007000		SLIDE PLATE SPRING				*		1	
39		SS6060210SP		SCREW 3/32-56L=1.9				*		2	
40		B1103141H00		SCALE BASE PLATE						1	
41		SS7110720SP		SCREW 11/64-40 L=7						2	
42		21401302		GASKET						1	
43		21401401		OIL TANK COVER						1	
44		21401500		OIL TANK COVER PLATE						1	
45		SS4111015SP		SCREW11/64-40L=10						6	

FRAME & MISCELLANEOUS COVER COMPONENTS

No.	Supply Code	Parts No.	Replacement	Parts name	Remarks	Choice	Step	Level	Cons	Qty	Rep. QTY
46		TA1050504R0		RUBBER PLUG						3	
47		TA1050504R0		RUBBER PLUG						1	
48		10201200		RUBBER PLUG						1	
49		22619100		CAP						1	
50		CM301300001		SAFETY LABEL						1	
51		CM300200001		ATTENTION SEAL	EXCEPT U- SE IN JAPAN					1	
52		22901805		GROUND MARK						1	
53		SS4150915SP		SCREW 15/64-28 L=9						1	