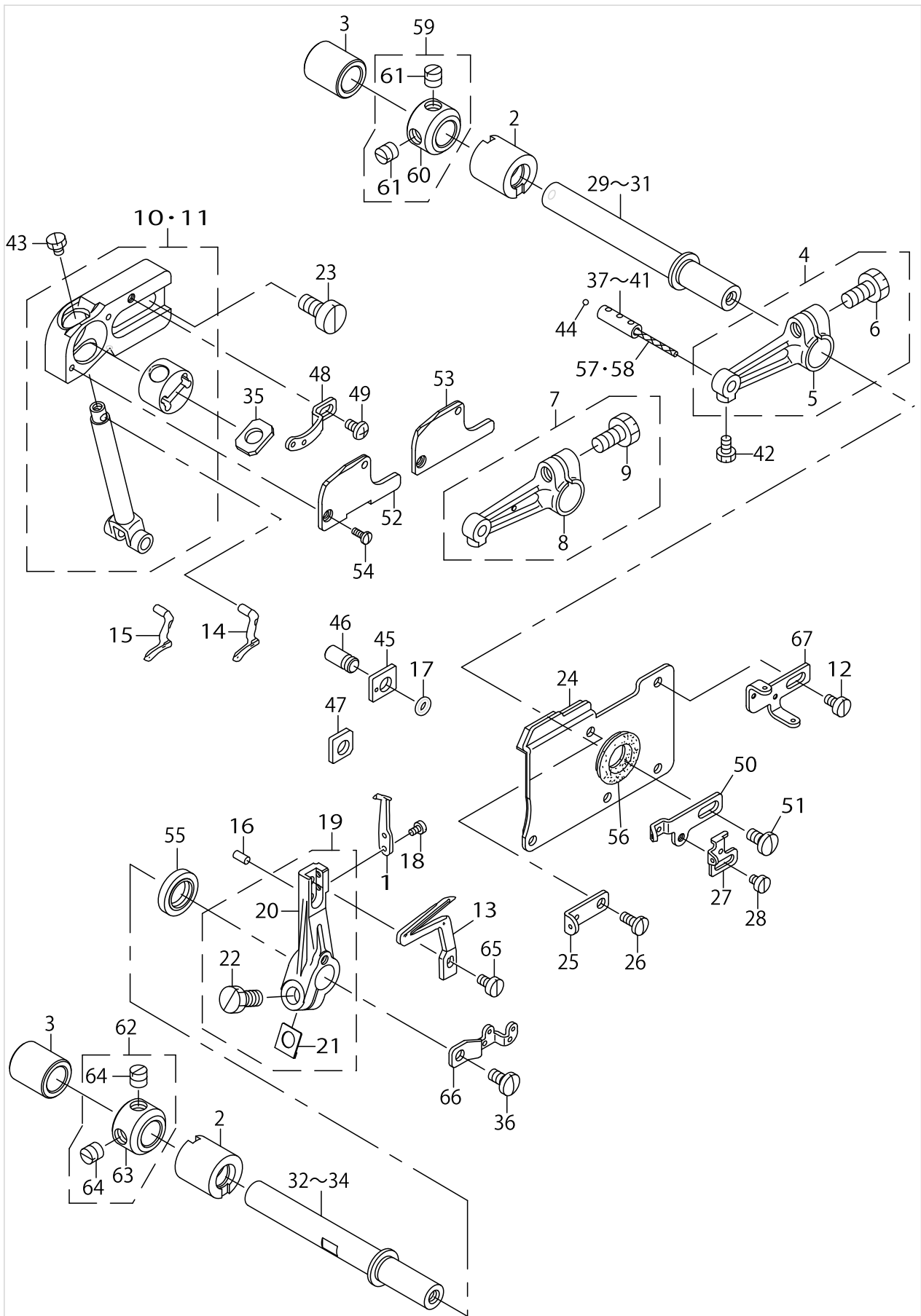


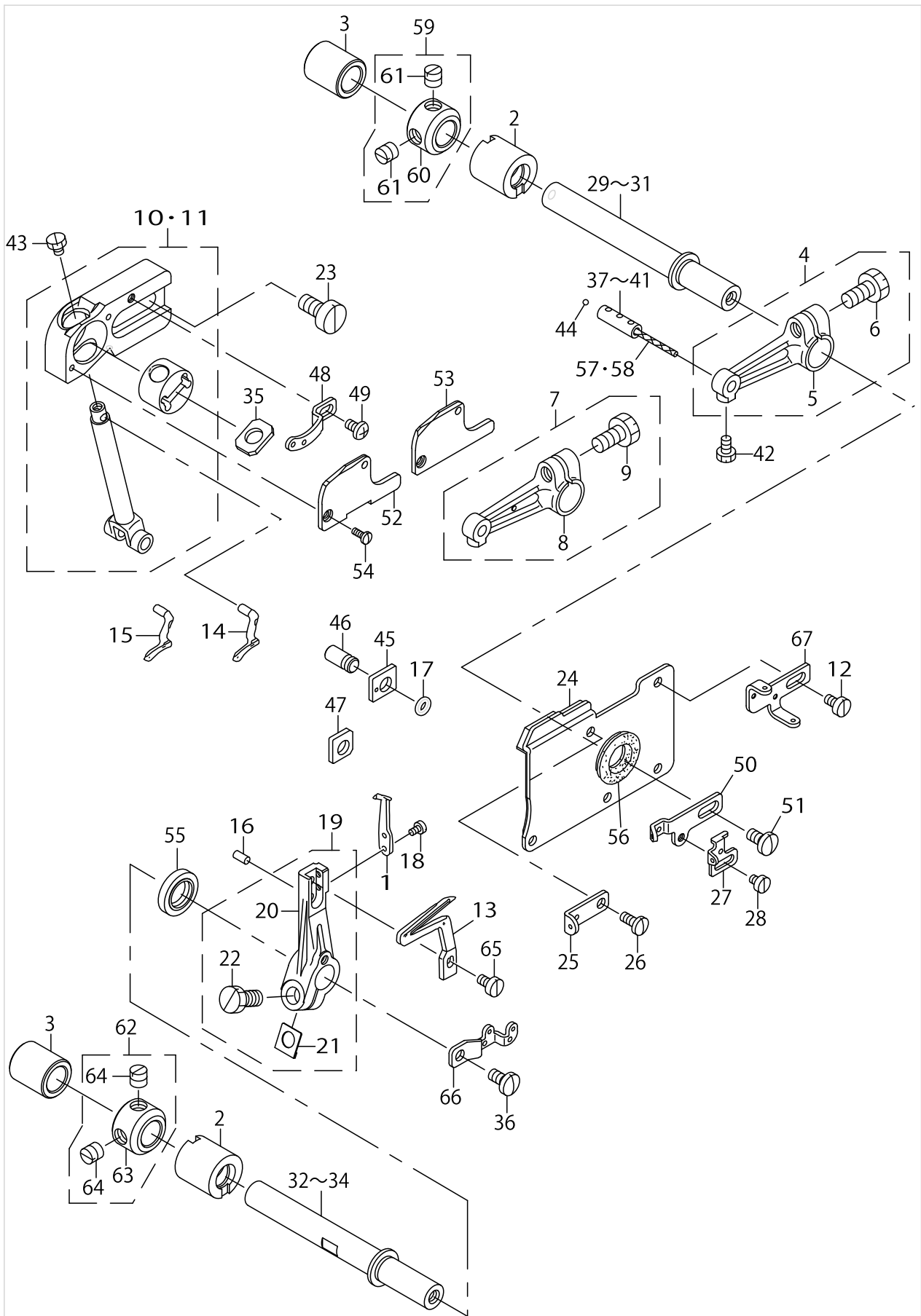
UPPER & LOWER LOOPER COMPONENTS



UPPER & LOWER LOOPER COMPONENTS

No.	Supply Code	Parts No.	Replacement	Parts name	Remarks	Choice	Step	Level	Cons	Qty	Rep. QTY
1		11890001		TRAVELING NEEDLE GUARD						1	
2		13222609		LOOPER SHAFT FRONT BUSHING						2	
3		13222708		LOOPER SHAFT REAR BUSHING						2	
4		13131057		UPPER LOOPER ARM A ASM.	FOR MO-6-704S,MO-6716S					1	
5	R	13131008	13131057	UPPER LOOPER ARM A				*		1	1.00
6		SS9151210TP		SCREW 15/64-28 L=11.8				*		1	
7		13131156		UPPER LOOPER ARM B ASM.	FOR MO-6714S					1	
8	R	13131107	13131156	UPPER LOOPER ARM B				*		1	1.00
9		SS9151210TP		SCREW 15/64-28 L=11.8				*		1	
10		40015637		GUIDE SUPPORT ASM.	FOR MO-6-704S,MO-6716S					1	
11		40016841		GUIDE SUPPORT B ASM	FOR MO-6714S					1	
12		SS6090630TP		SCREW 9/64-40 L=6						3	
13		11999307		LOWER LOOPER						1	
14		11888104		UPPER LOOPER	FOR MO-6-704S,MO-6716S					1	
15		12176004		UPPER LOOPER	FOR MO-6714S					1	
16		PS0300062KH		SPRING PIN 3X6						1	
17		13170600		RUBBER RING						1	
18		SS6060440TP		SCREW 3/32-56 L=3.5						2	
19		13132550		LOWER LOOPER SUPPORT ARM ASM.						1	
20	R	13132501	13132550	LOWER LOOPER SUPPORT ARM				*		1	1.00
21		13129309		WASHER				*		1	
22		SS9151210TP		SCREW 15/64-28 L=11.8				*		1	
23		SM6061200SP		SCREW M6 L=12						2	
24		13133053		OIL SHIELD PLATE ASM.						1	
25		12340600		UPPER LOOPER THREAD GUIDE						1	
26		SS7090850SP		SCREW 9/64-40 L=8						1	
27		12340709		LOWER LOOPER THREAD TAKE-UP						1	
28		SS6080410SP		SCREW 1/8-44 L=4						1	
29		13221403		UPPER LOOPER GUIDE A	SELECTIVE PARTS					1	
30		13221502		UPPER LOOPER GUIDE B	SELECTIVE PARTS					1	
31		13221601		UPPER LOOPER GUIDE C	SELECTIVE PARTS					1	
32		13221700		UPPER LOOPER GUIDE A	SELECTIVE PARTS					1	
33		13221809		UPPER LOOPER GUIDE B	SELECTIVE PARTS					1	
34		13221908		UPPER LOOPER GUIDE C	SELECTIVE PARTS					1	
35		40011234		DUST SEALING FELT						1	
36		SS7110840SP		SCREW 11/64-40 L=7.8						1	
37		13131206		UPPER LOOPER HOLDER PIN A	SELECTIVE PARTS					1	
38		13131305		UPPER LOOPER HOLDER PIN B	SELECTIVE PARTS					1	
39	R	13131404	13131503	UPPER LOOPER HOLDER PIN C	SELECTIVE PARTS					1	1.00
40		13131503		UPPER LOOPER HOLDER PIN D	SELECTIVE PARTS					1	
41		13131602		UPPER LOOPER HOLDER PIN E	SELECTIVE PARTS					1	
42		SS9090610TP		SCREW 9/64-40 L=5.5						1	
43		SS9090410TP		SCREW						1	
44		13131701		OIL WICK STOPPER BALL						1	

UPPER & LOWER LOOPER COMPONENTS



UPPER & LOWER LOOPER COMPONENTS

No.	Supply Code	Parts No.	Replacement	Parts name	Remarks	Choice	Step	Level	Cons	Qty	Rep. QTY
45		13131909		GUIDE SUPPORT GAUGE	FOR MO-6-704S,MO-6714S					1	
46		13131800		GAUGE FIXING PIN						1	
47		13132006		GUIDE SUPPORT GAUGE	FOR MO-6716S					1	
48		12340501		THREAD GUIDE UPPER						1	
49		SS4090615SP		SCREW 9/64-40 L=6						1	
50		12340402		THREAD TAKE-UP RIGHT						1	
51		SS7110840SP		SCREW 11/64-40 L=7.8						1	
52		13222203		UPPER LOOPER GAUGE COVER	FOR MO-6-704S,MO-6716S					1	
53		13222302		UPPER LOOPER GAUGE COVER B	FOR MO-6714S					1	
54		SS7060610SP		SCREW 3/32-56 L=5.5						2	
55		40010804		OIL SEAL RING						1	
56		13132709		UPPER LOOPER SH-AFT RUBBER RING						1	
57		CQ200000000		OIL WICK						.04	
58		CQ202000000		OIL WICK						.04	
59		CS1031210SH		THRUST COLLAR A-SM. D=10.32 W=12	FOR MO-6-704S,MO-6714S					2	
60	R	CS1031219SH	CS1031210SH	THRUST COLLAR D=10.32 W=12				*		1	1.00
61		SS8660610TP		SCREW 1/4-40 L=6				*		2	
62		CS1031210SH		THRUST COLLAR A-SM. D=10.32 W=12	FOR MO-6716S					1	
63	R	CS1031219SH	CS1031210SH	THRUST COLLAR D=10.32 W=12				*		1	1.00
64		SS8660610TP		SCREW 1/4-40 L=6				*		2	
65		SS6090620TP		SCREW						1	
66		12340907		LOWER THREAD TAKE-UP LEFT						1	
67		40099082		LOOPER THREAD GUIDE						1	