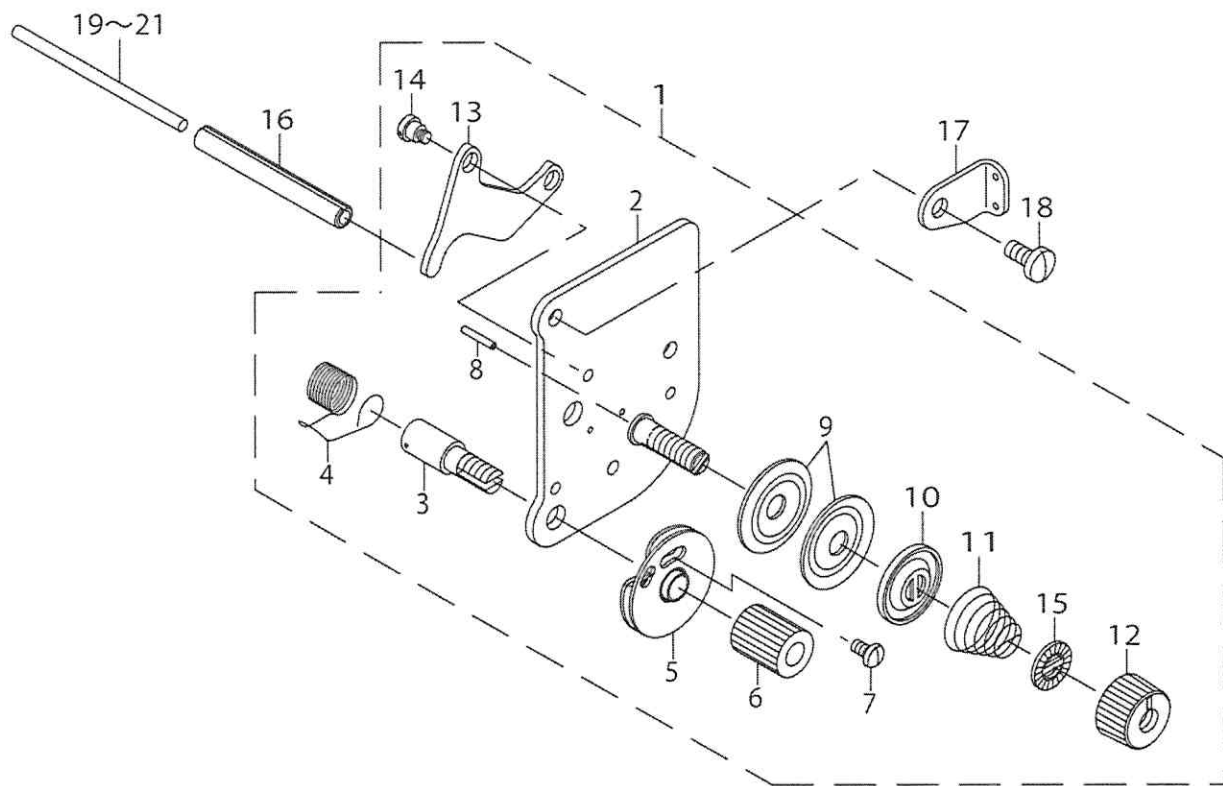


# THREAD TENSION COMPONENTS



THREAD TENSION COMPONENTS

No.	Supply Code	Parts No.	Replacement	Parts name	Remarks	Choice	Step	Level	Cons	Qty	Rep. QTY
1		40103059		THREAD TENSION ASM.						1	
2		40103060		THREAD POST BASE COMPL.				*		1	
3		10320109		SCREW STUD				*		1	
4		B3128051000		THREAD TAKE-UP SPRING, A				*		1	
5		B31370510A0		TAKE-UP SPRING GUIDE DISC ASM.				*		1	
6		10320208		THRED TENSION STUD NUT				*		1	
7		SS4080620TP		SCREW 1/8-44 L=6				*		1	
8		B3127051000		TENSION RELEASE PIN, SHORT				*		1	
9		13138201		THREAD TENSION DISK				*		2	
10		22617906		THREAD TENSION DISK PRESSER				*		1	
11		B3129053000		TENSION SPRING				*		1	
12		22921308		THREAD TENSION NUT				*		1	
13		B3134521000		TENSION RELEASE LEVER				*		1	
14		SD0470281SP		HINGE SCREW D=4.7 H=2.8				*		2	
15		22921407		ROTATION STOPPER				*		1	
16		PS0600502KP		SPRING PIN						1	
17		21409909		GUIDE PLATE						1	
18		SS7110910TP		SCREW 11/64-40 L= 8.5						2	
19		21348206		TENSION RELEASE BAR						1	
20		10321107		TENSION RELEASE BAR	SELECTIVE PARTS					1	
21		23006406		TENSION RELEASE BAR	SELECTIVE PARTS					1	