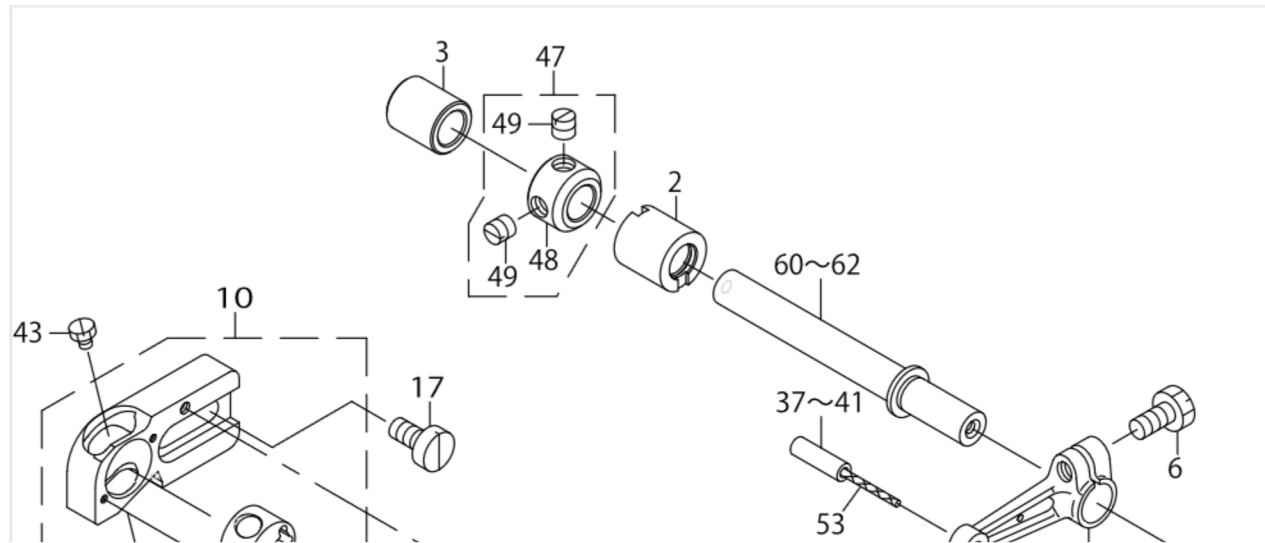


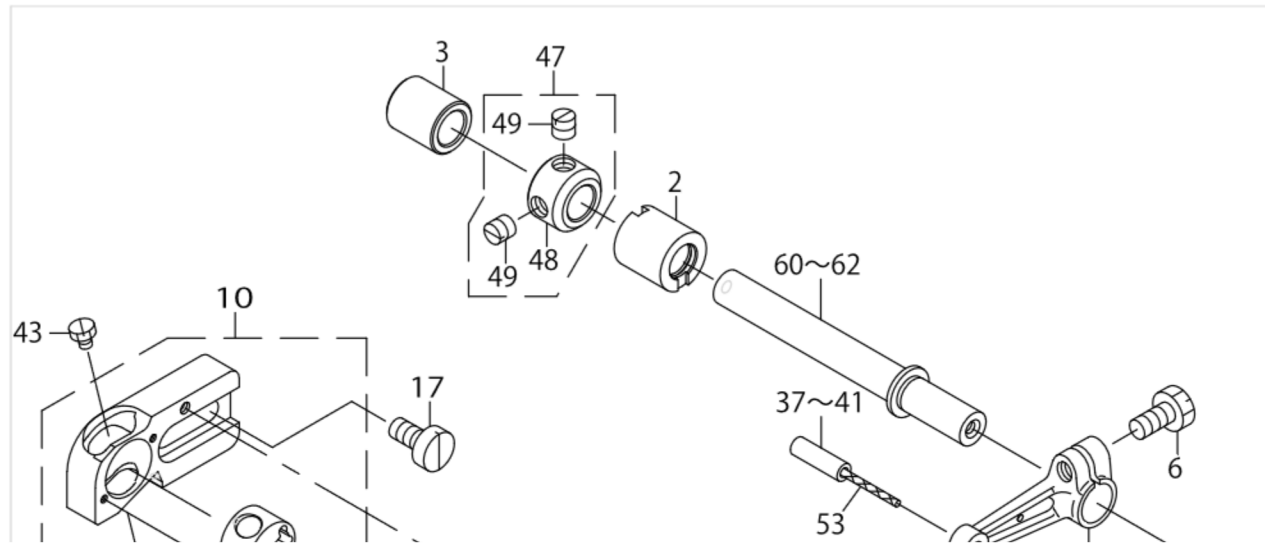
UPPER & LOWER LOOPER COMPONENTS



UPPER & LOWER LOOPER COMPONENTS

No.	Parts No.	Parts name	Remarks	Level	Cons	Qty
1	SS6060440TP	SCREW 3/32-56 L=3.5				2
2	13222609	LOOPER SHAFT FRONT BUSHING				2
3	13222708	LOOPER SHAFT REAR BUSHING				2
4	12384202	LOWER LOOPER				1
5	11890001	TRAVELING NEEDLE GUARD				1
6	SS9151210TP	SCREW 15/64-28 L=11.8				1
7	12383600	UPPER LOOPER	FOR MO-6914G			1
8	13221304	UPPER LOOPER ARM				1
9	12383501	UPPER LOOPER	FOR MO-6904G,MO-6916G			1
10	40026021	GUIDE SUPPORT ASM.				1
11	40011234	DUST SEALING FELT				1
12	12340501	THREAD GUIDE UPPER				1
13	SS4090615SP	SCREW 9/64-40 L=6				1
14	SS6090630TP	SCREW 9/64-40 L=6				4

UPPER & LOWER LOOPER COMPONENTS



UPPER & LOWER LOOPER COMPONENTS

No.	Parts No.	Parts name	Remarks	Level	Cons	Qty
48	CS1031219SH	THRUST COLLAR D=10.32 W=12		*		1
49	SS8660610TP	SCREW 1/4-40 L=6		*		2
50	12340808	THREAD GUIDE				1
51	SS3090610SP	SCREW 9/64-40 L=6				1
52	13224001	UPPER LOOPER GUIDE COVER				1
53	CQ202000000	OIL WICK				0.05
54	SS7060610SP	SCREW 3/32-56 L=5.5				2
55	40010804	OIL SEAL RING				1
56	B2530704000	UPPER LOOPER SHAFT RUBBER RING				1
57	CS1031210SH	THRUST COLLAR ASM. D=10.32 W=12	FOR MO-6916G			1
58	CS1031219SH	THRUST COLLAR D=10.32 W=12		*		1
59	SS8660610TP	SCREW 1/4-40 L=6		*		2
60	13221403	UPPER LOOPER SHAFT A	SELECTIVE PARTS			1
61	13221502	UPPER LOOPER SHAFT B	SELECTIVE PARTS			1