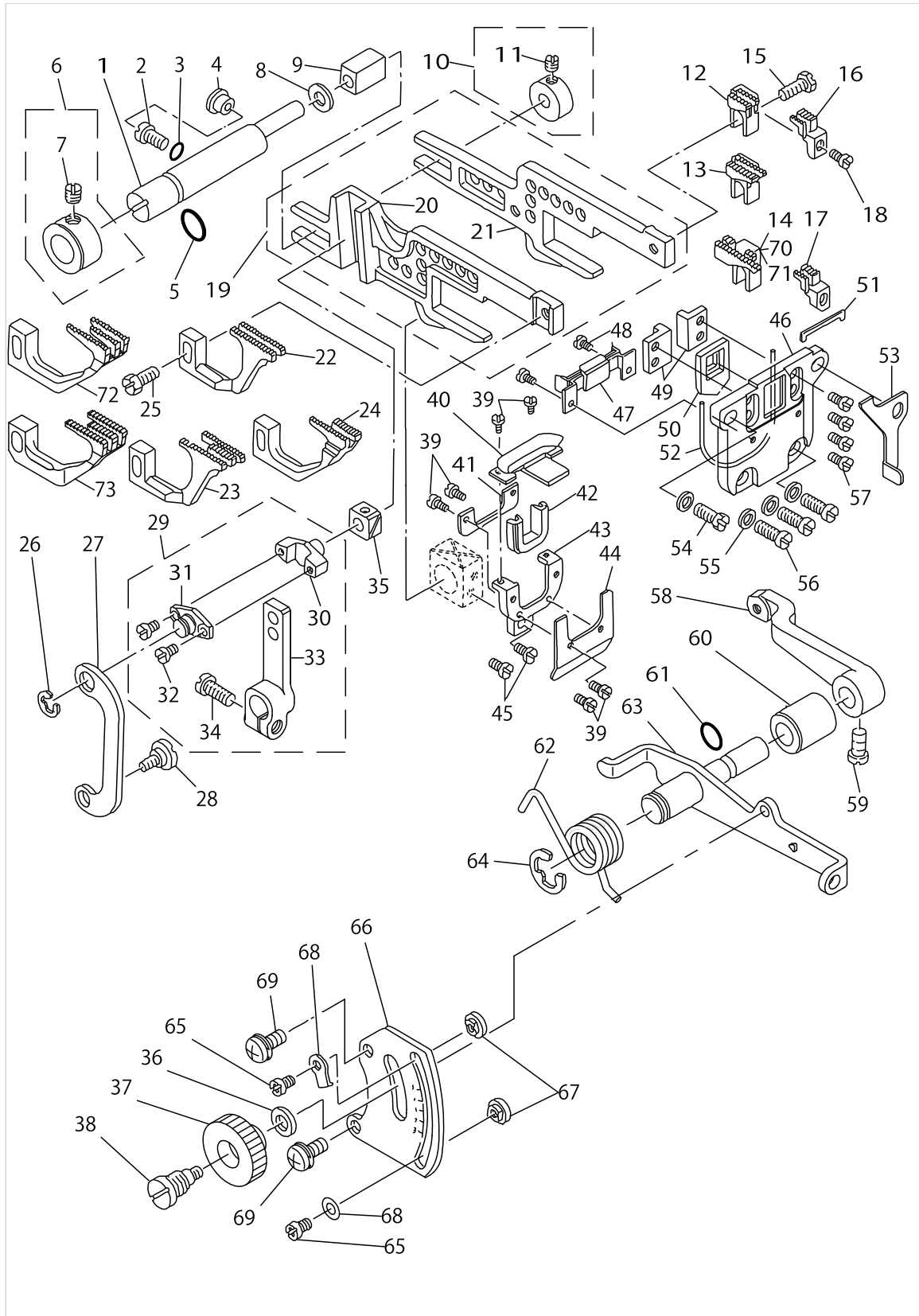


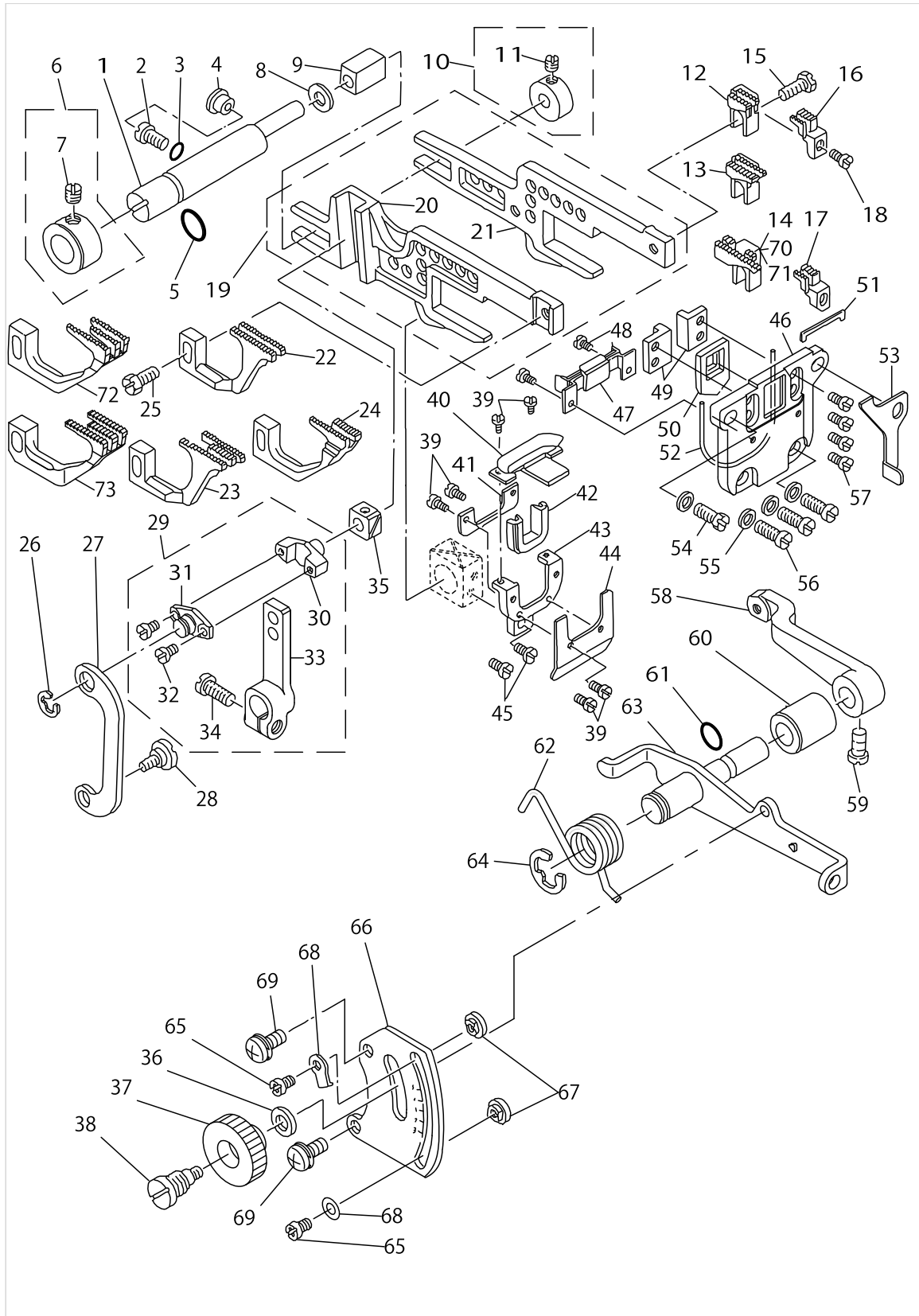
FEED MECHANISM COMPONENTS(2)



FEED MECHANISM COMPONENTS(2)

No.	Supply Code	Parts No.	Replacement	Parts name	Remarks	Choice	Step	Level	Cons	Qty	Rep. QTY
1	R	11824505	13120902	FEED BAR SHAFT						1	1.00
2		SM4040855SP		SCREW						1	
3		RO037180100		RUBBER RING						1	
4		TA0800504R0		PLUG D=8 L=4.5						1	
5		RO078190100		RUBBER RING						1	
6		11824653		THRUST COLLAR ASM.						1	
7		SS8660330SP		SCREW 1/4-40 L= 3.0				*		1	
8		11529914		WASHER						1	
9	R	B1624704000	13120803	SLIDE BLOCK						1	1.00
10	D	11828050		COLLAR ASM.						1	
11		SS8110410TP		SCREW 11/64-40 L= 3.5				*		1	
12	R	11882107	13191606	MAIN FEED DOG	FOR MO-3704E					1	1.00
13	R	11949807	13192000	MAIN FEED DOG	FOR MO-3714E					1	1.00
14	R	11882800	13192406	MAIN FEED DOG	FOR MO-3716E					1	1.00
15		SS9111050SP		SCREW 11/64-40 L=9.5						1	
16	R	11887106	13191309	AUXILIARY FEED DOG	FOR MO-3-704E,MO-3714E					1	1.00
17	R	11887403	13191408	AUXILIARY FEED DOG	FOR MO-3716E					1	1.00
18	R	SS4080610SP	SS4080620TP	SCREW 1/8-44 L=6.4						1	1.00
19	D	11824257		MAIN FEED BAR ASM.						1	
20	D	11824307		DIFFERENTIAL FEED BAR				*		1	
21	D	11824208		MAIN FEED BAR				*		1	
22	R	B165780400T	13192802	DIFFERENTIAL FEED DOG	FOR MO-3704E					1	1.00
23	R	11949906	13193206	DIFFERENTIAL FEED DOG	FOR MO-3714E					1	1.00
24	R	12172805	13193602	DIFFERENTIAL FEED DOG	FOR MO-3716E					1	1.00
25		SS9111010SP		SCREW 11/64-40 L=9.5						1	
26		RE0500000K0		E-RING						1	
27		11826310		ADJUSTING LINK						1	
28		SD0720271SP		HINGE SCREW D=7,2 H=2,7						1	
29	R	11828563	13218052	DIFFERENTIAL FEED ROCKER ASM.						1	1.00
30		11825304		PIN				*		1	
31	R	11826401	13218052	PIN COVER				*		1	1.00
32		SS6080410SP		SCREW 1/8-44 L=4				*		2	
33	R	11828514	13218052	DIFFERENTIAL FEED ROCKER ASM.				*		1	1.00
34		SM6051202TP		SCREW M5X0.8 L=12				*		1	
35		B1414555000		SLIDE BLOCK						1	
36		WP0621016SD		WASHER 6.2X13X1						1	
37		B1647704000A		DIFFERENTIAL FEED LOCK NUT						1	
38		B1646704000A		DIFFERENTIAL FEED HINGE SCREW						1	
39		SS7060310SP		SCREW 3/32-56 L=3						6	
40		11825601		RUBBER PRESSER PLATE ASM.						1	
41		11825205		OIL SHIELD RUBBER						1	
42		11825106		OIL SHIELD RUBBER						1	
43	D	11825007		RUBBER COVER						1	
44		11825403		RUBBER BASE PLATE						1	
45		SS7090620TP		SCREW 9/64-40 L=6.1						2	

FEED MECHANISM COMPONENTS(2)



FEED MECHANISM COMPONENTS(2)

No.	Supply Code	Parts No.	Replacement	Parts name	Remarks	Choice	Step	Level	Cons	Qty	Rep. QTY
46	D	11824802		RUBBER CASE						1	
47		11827607		OIL SHIELD RUBBER,LOWER						1	
48		SS7060510SP		SCREW 3/32-56 L=4.8						2	
49	D	11824703		FEED BAR SUPPORT						2	
50	D	11824901		RUBBER						1	
51	D	11827904		RUBBER						1	
52	D	RO480120100		RUBBER RING						1	
53		11828308		SUPPORT THROAT PLATE						1	
54		SM6041002TP		SCREW M4 L=10						1	
55		WP0480856SP		WASHER 4.8X8.4X0.8						4	
56		SM4041055SP		SCREW						3	
57	R	SS6090620SP	SS6090620TP	SCREW 9/64-40 L=6						4	1.00
58	R	11828605	13121900	DIFFERENTIAL FEED ROCKER						1	1.00
59		SS6661110SP		SCREW 1/4-40 L=11						1	
60	R	B1645704000A	12118709	BUSHING						1	1.00
61		RO060150100		RUBBER RING						1	
62		11991502		SPRING						1	
63	R	11825858	12283255	ROCKER SHAFT ASM.						1	1.00
64		RE0900000KP		SNAP RING 9						1	
65		SS4090515SP		SCREW 9/64-40 L=5						2	
66	R	11827102	12283107	DIFFERENTIAL FEED GRADUATION						1	1.00
67		11529005		STOPPER						2	
68		WP0371016SD		WASHER 3.7X8X1						2	
69		SL4051231SC		SCREW M5 L=12						2	
70		12171104		MAIN FEED DOG	FOR MO-3716E-50K					1	
71		12171104		MAIN FEED DOG	FOR MO-3716E-60K					1	
72		12173704		DIFFERENTIAL FEED DOG	FOR MO-3716E-50K					1	
73		12174207		DIFFERENTIAL FEED DOG	FOR MO-3716E-60K					1	